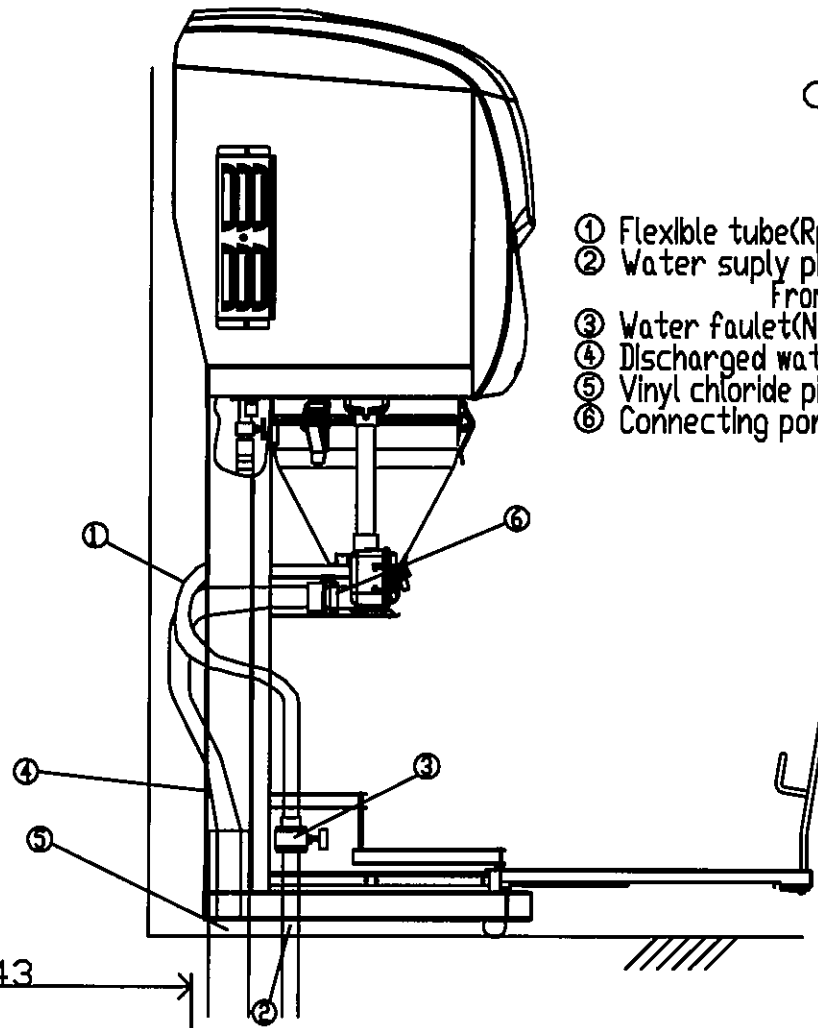
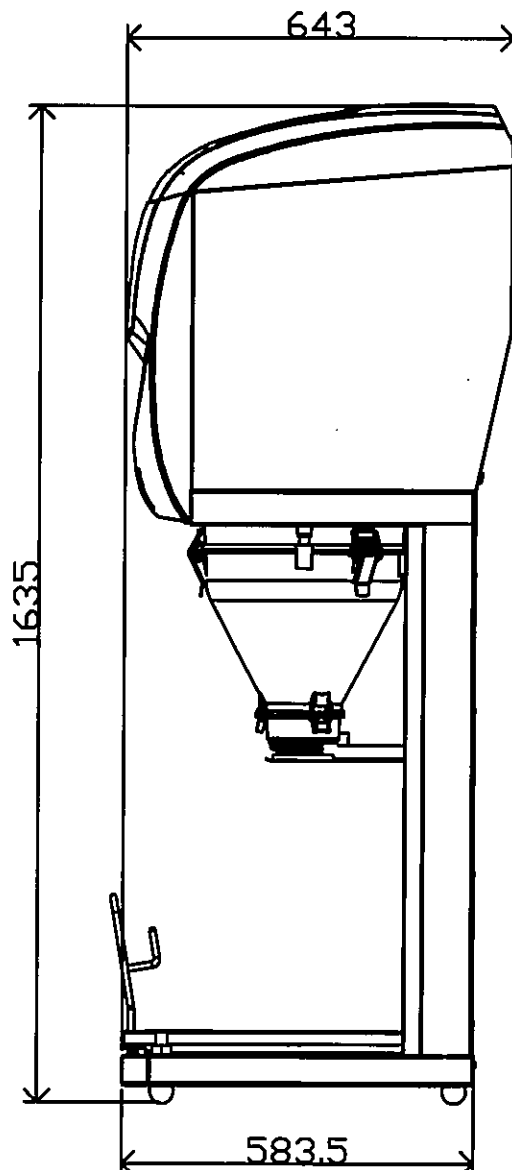
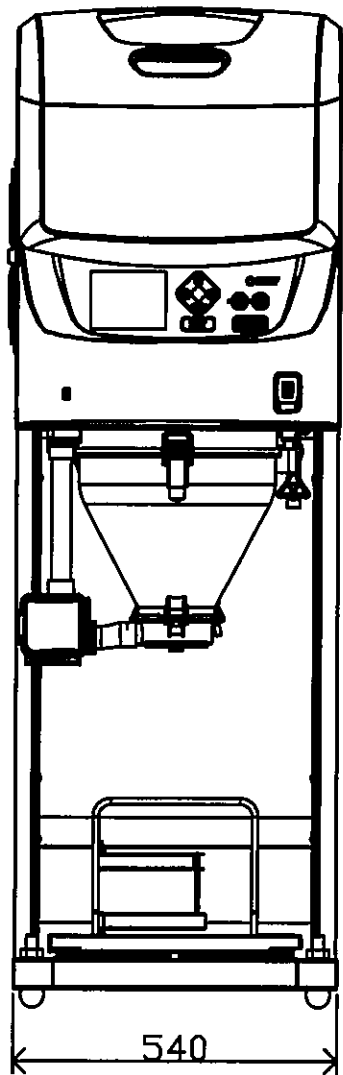
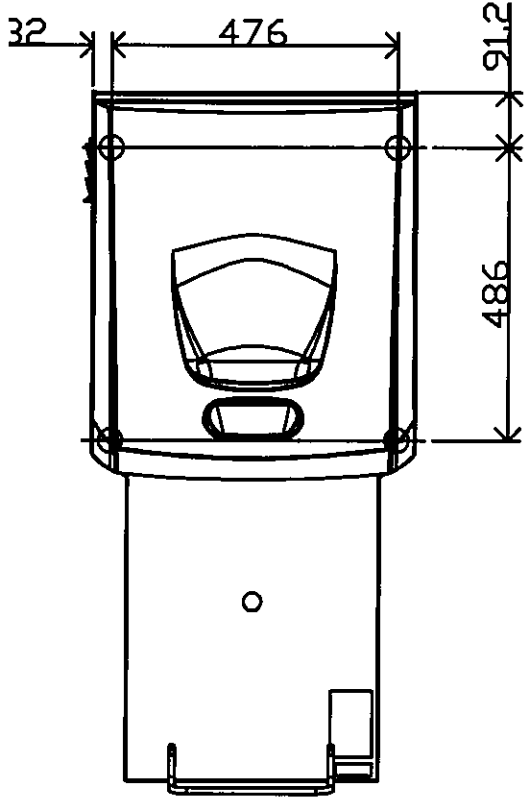


KP720NA-CE

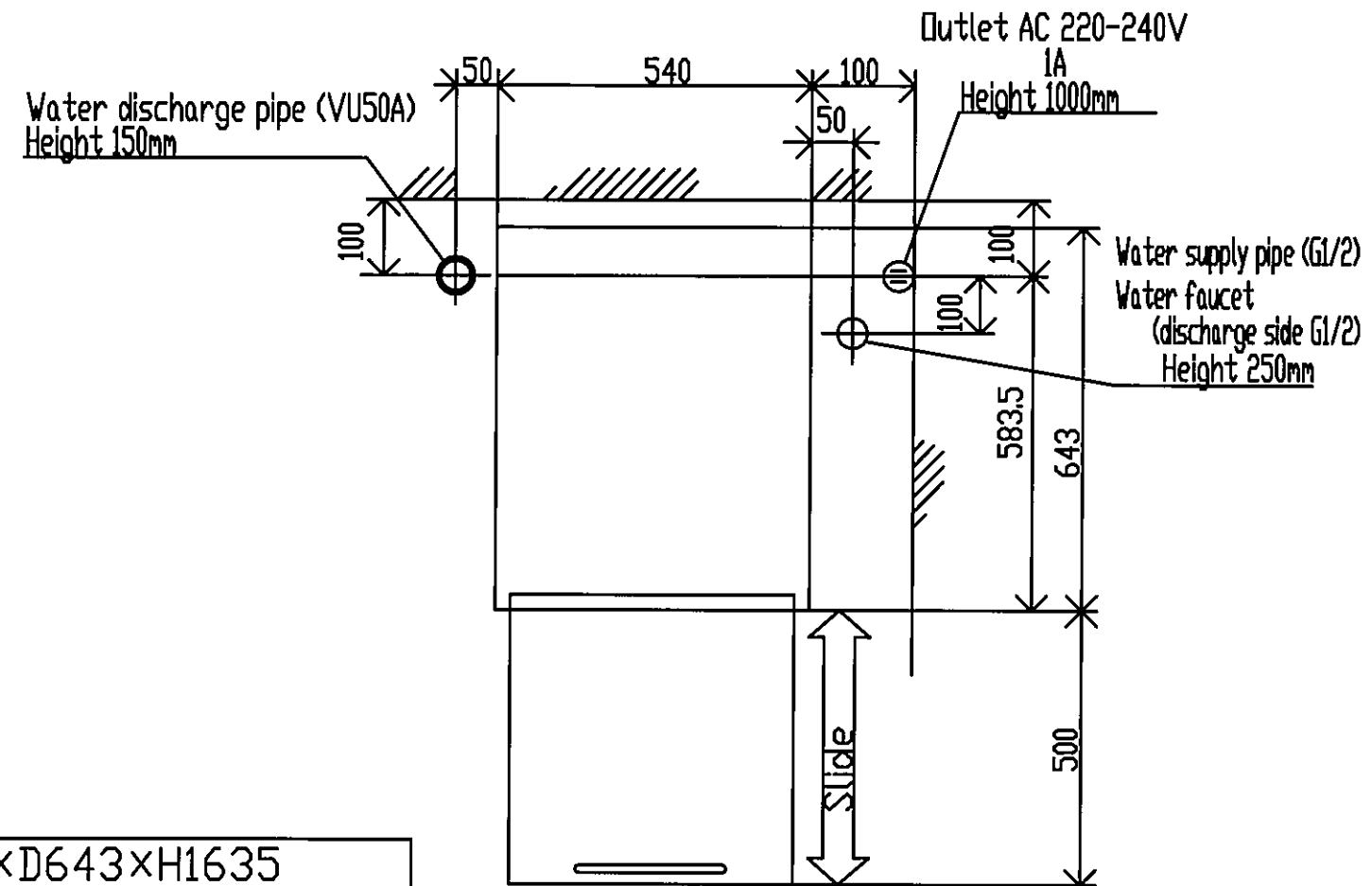
(Product code L7951-00000)

External View



Drawing of Water Supply • Discharged Water Connection [Standards]

- ① Flexible tube (Rp1/2) L=700mm.....Included main body
- ② Water supply pipe (G1/2 Hard vinyl chloride lining steel pipe From floor face 250mm.....connect with water faucet)
- ③ Water faucet (Nominal pipe 13, connection G1/2)
- ④ Discharged water hose (Connected part inner diameter 38mm) L=1200mm.....Included main body
- ⑤ Vinyl chloride pipe for water discharge (VU50A) From floor face 150mm
- ⑥ Connecting port of discharged water for Rice Washing Robot (External Diameter 38mm).....Connect with discharged hose



Specification

Size (mm)	W540×D643×H1635
Weight (kg)	60
Maximum rice throughput (once)	6.0kg
Setting (per operation)	3.0kg 3.5kg 4.0kg 4.5kg 5.0kg 5.5kg 6.0kg
Amount of stored rice	60kg
Washing time (without water discharge time)	2min13sec (6.0kg standard washing setting, flow rate 14L/min)
Electric voltage	AC220-240V±10V
Frequency	50Hz
Rated power	220-240Vac 50Hz 1A
Water pressure (Minimum)	80kPa (0.8kgf/cm ²)